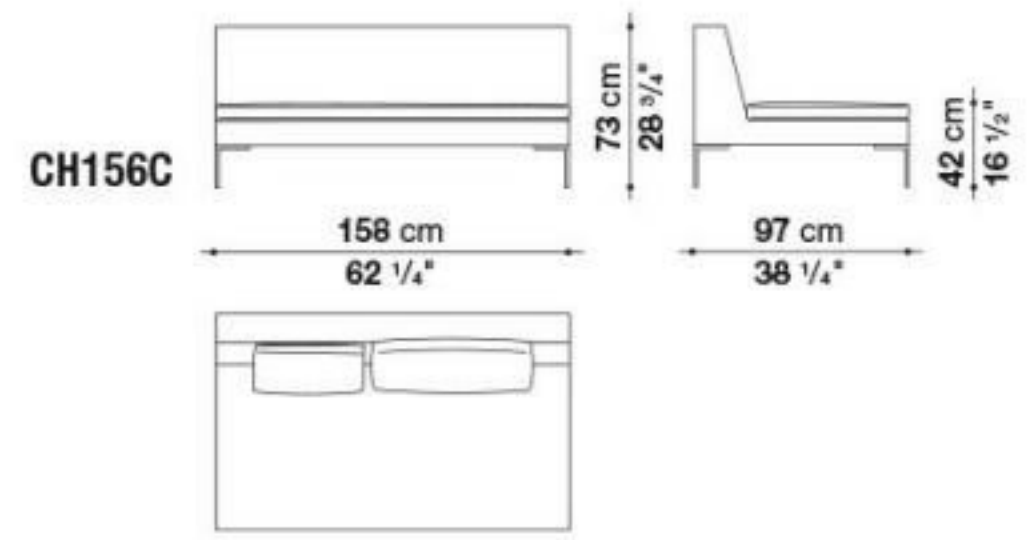
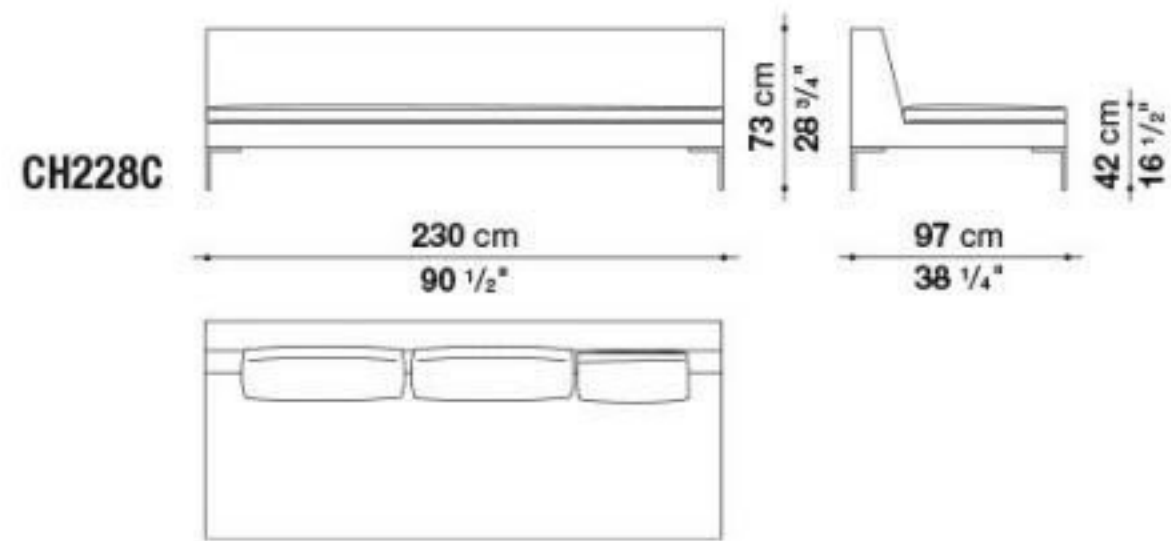


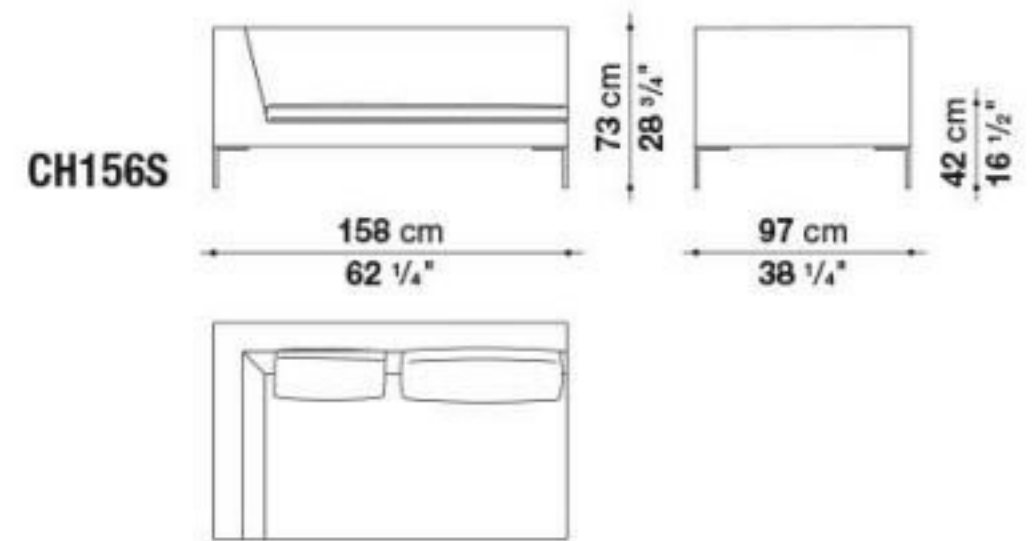
CH228



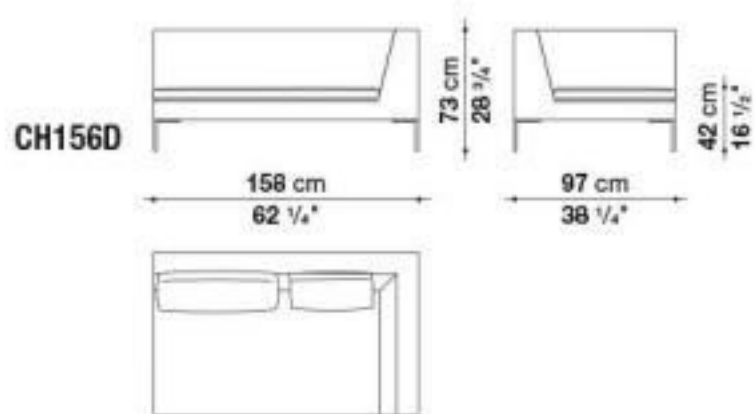
CH156C



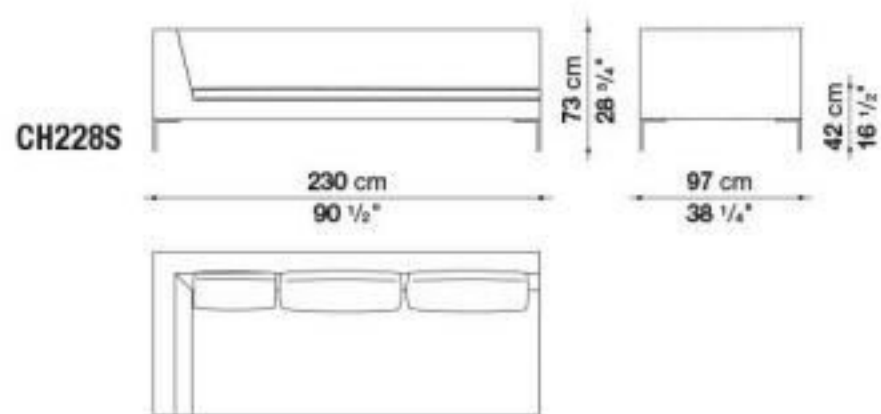
CH228C



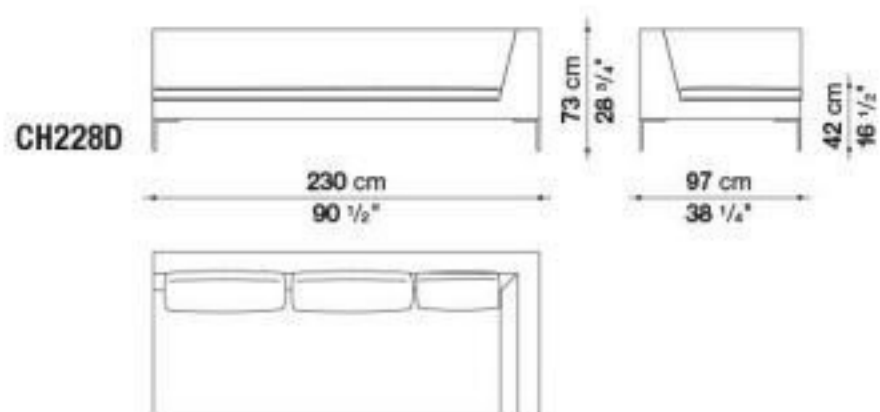
CH156S



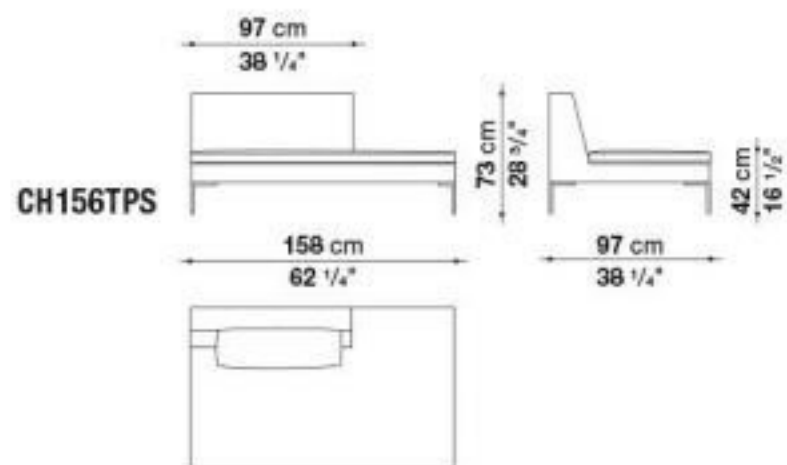
CH156D



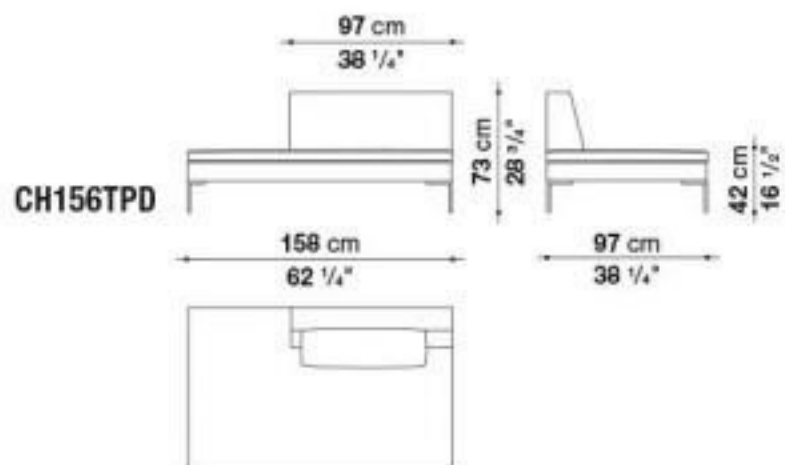
CH228S



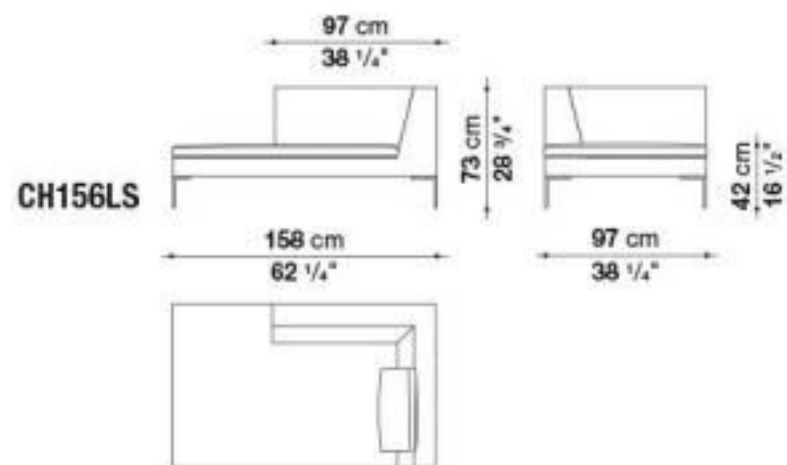
CH228D



CH156TPS



CH156TPD



CH156LS